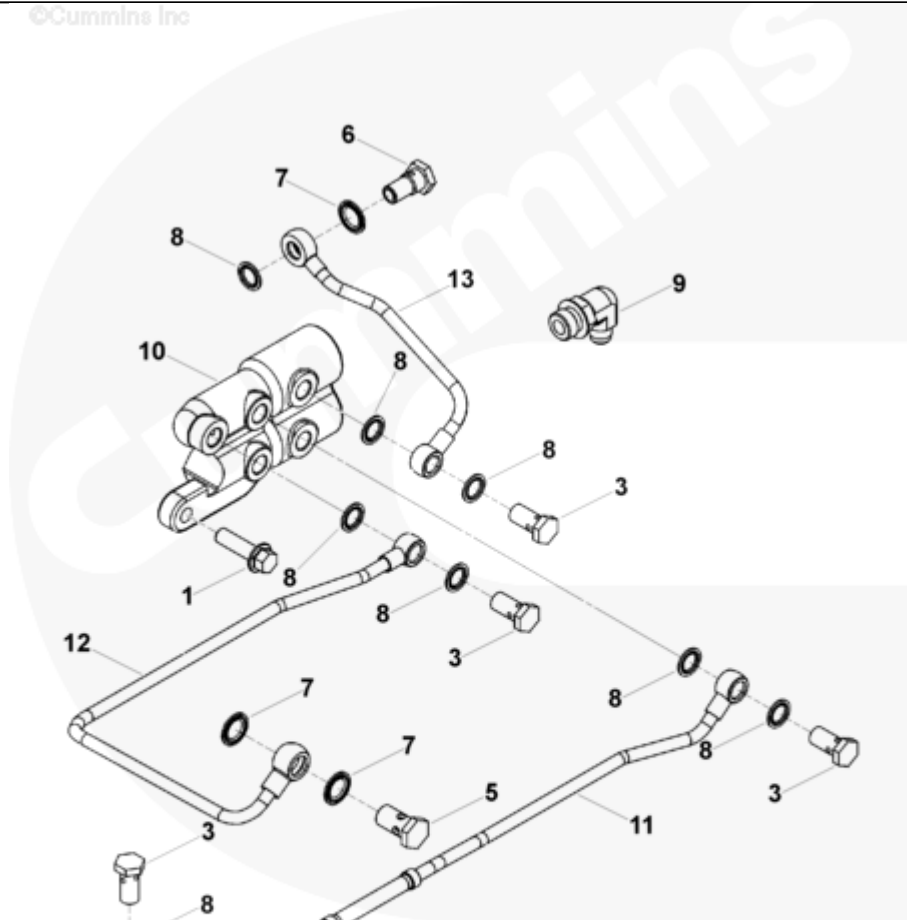




Parts Catalog - Option Detail

Electronic Parts Catalog - Option Detail				
Option	Group	Graphic	Film Card	Date
FT9050-04	06.03	ft958gd	Z	08-APR-06
Engines	6C8.3, C GAS PLUS CM556, G8.3, G8.3 CM558, GTA8.3 CM558, ISC CM2150, ISC CM554, ISC CM850, ISC8.3 CM2250, ISC8.3 G CM2180 C101, ISL CM2150, ISL CM554, ISL CM850, ISL G CM2180, ISL8.9 CM2150 L110, ISL8.9 CM2880 L112, ISL9 CM2150 SN, ISL9 CM2250, ISL9 CM2350 L101, ISL9 CM2350 L111, ISLE4 CM850, L GAS PLUS CM556, L8.9, L8.9 L121, L8.9G CMOH2.0 L125B, L9 CM2350 L116B, L9 CM2350 L119B, L9 CM2350 L120C, L9 CM2350 L123B, L9.3 L105, L9.5 L117, L9N CM2380 L124B, QSC8.3 CM2250, QSC8.3 CM2880 C102, QSC8.3 CM554, QSC8.3 CM850(CM2850), QSL9 CM2250, QSL9 CM2250 L115, QSL9 CM2350 L102, QSL9 CM2350 L107, QSL9 CM2350 L118, QSL9 CM2350 L122, QSL9 CM554, QSL9 CM850(CM2850), QSL9 G CM558, QSL9 M CM2250 L106, QSL9.3 CM2880 L113			



ft958gd

SMALL | MEDIUM | LARGE

Cart	Ref No	Part Number	Part Description	Required	Remarks
View My Cart					
		FT9050-04	Fuel Plumbing		MR - PLUMBING, FUEL...(More)
					Engine Family: C & L Series
					Engine Cylinders: 6
					Fitting Type: 90 Degree
					Elbow
					Fitting Supplier: Cummins
					Orientation: 7 O'clock as
					Viewed from Rear of Engine
					Cylinder Head Fuel Drain
					Location:
					X: 440.52
					Y: 15.5
					Z: -851
					Common Rail Drain Valve
					Location:
					X: 401.02
					Y: 308.4
					Z: -503
<input type="checkbox"/>	1	3089016	Hexagon Flange Head Cap Screw	2	M10 X 1.50 X 35.
<input type="checkbox"/>	2	3629452	Clip	1	
<input type="checkbox"/>	3	3903035	Banjo Connector Screw	3	M12 X 1.50 X 24.
<input type="checkbox"/>	4	3903990	Hexagon Flange Head Cap Screw	1	M10 X 1.50 X 20.
<input type="checkbox"/>	5	3924725	Banjo Connector Screw	1	M14 X 1.50 X 26.
<input type="checkbox"/>	6	3957290	Check Valve	1	
<input type="checkbox"/>	7	3963988	Sealing Washer	2	M14.
<input type="checkbox"/>	8	3963990	Sealing Washer	4	M12.
<input type="checkbox"/>	9	3966077	Male Union Elbow	1	

<input type="checkbox"/>	10	3966656	Fuel Block Connection	1	
<input type="checkbox"/>	11	3972793	Fuel Drain Tube	1	
<input type="checkbox"/>	12	3968426	Fuel Drain Tube	1	
<input type="checkbox"/>	13	3968427	Fuel Drain Tube	1	

© 2019 Cummins Inc., Box 3005, Columbus, IN 47202-3005 U.S.A.
Terms of Use and Disclaimers | Recommended System Requirements
Need Assistance? Please click on the Contact Us button in the top right corner of any page.